

Wireless Series

Model: Touch-RF

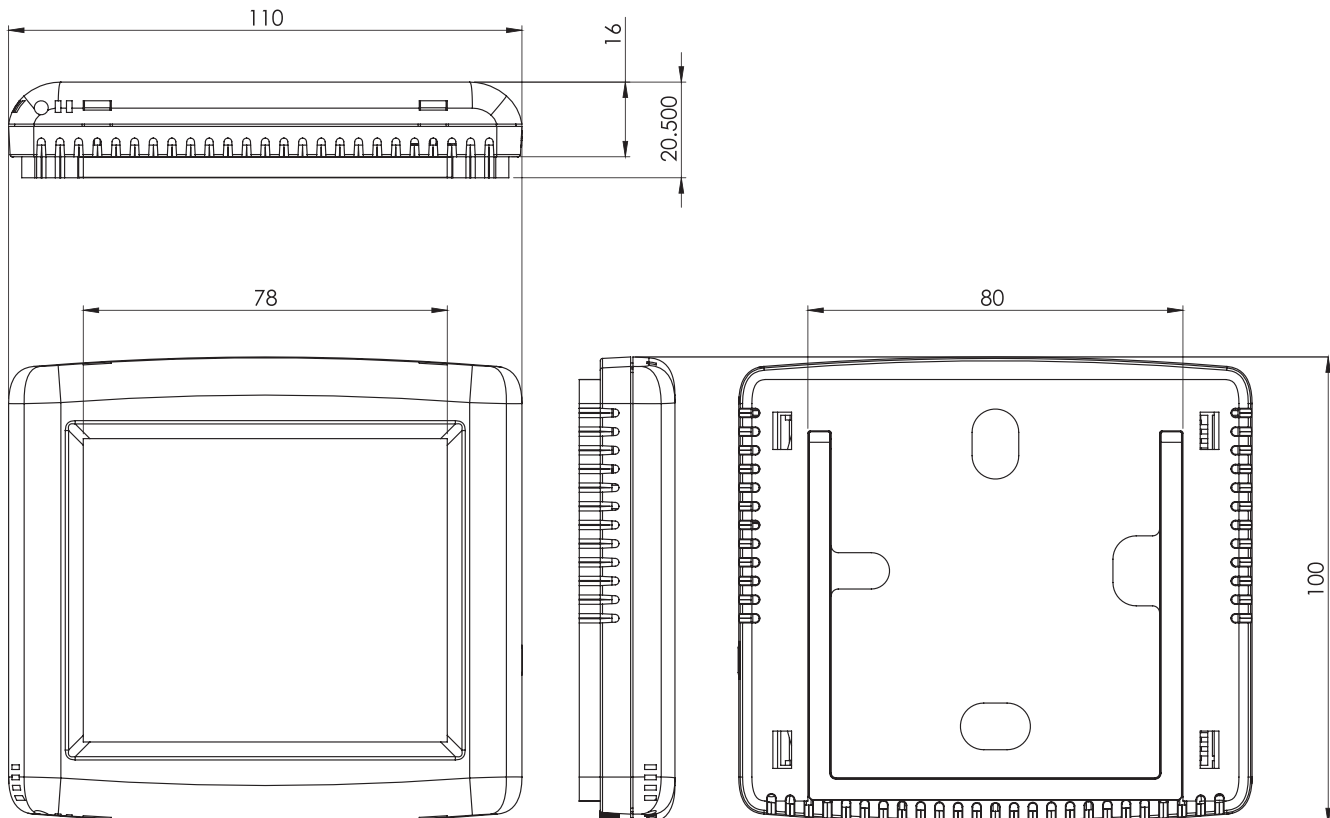


RF-Switch Compatible	Y	Built In Sensor	Y
RF-Link Compatible	Y	Remote Air Sensing Mode	N
UH8-RF Compatible	Y	Floor Sensing Mode	N
Temperature Range	05-35 °C 41-95 °F	Remote Probe Included	N
Non-Programmable Mode	Y	Accuracy	+/-1°C
5/2 Day Programming Mode	Y	Adjustable Switching Differential	Y
7 Day Programming Mode	Y	Wireless Fail Safe Function	Y
Number of Heating Levels	4	RF Frequency	868MHz
Optimum Start	Y	Operational Radio Range (Open Space)	Up to 100M
Number of HW Times	4	Power	Rechargeable Battery (Mini USB Connection)
Holiday Function	Y	Battery Life Time	Typically 6-8 Months
Keylock Function	Y	USB Power Lead Included	Y
Temperature Hold	Y	Mounting Type	Wall/Desk Stand
Temperature Override	Y	Installed Dimensions (L,H,D)	110 x 100 x 20mm
°C / °F Option	Y	Weight	198g

Feature Table

FEATURE	DESCRIPTION	SETTING	FEATURE	DESCRIPTION	SETTING
01	Temperature Format	00 = °C, 01 = °F	09	UH8-RF Output Type	Underfloor Heating = 00, 01 = Radiators
02	Switching Differential	0.5° - 3.0° (Default 1.0°)	10	Fail Safe	00 = Disabled, 01 = Enabled
03	(Not Used)	(Not Used)	11	Up/Down Temperature Limit	00° - 10° (00=Default)
04	Frost Protection Temperature	07° - 17° (Default 12°)	12	(Not Used)	(Not Used)
05	Output Delay	00 - 15 Minutes (00=Default)	13	(Not Used)	(Not Used)
06	Receiver Type	00 = UH8-RF, 01 = RF-Switch	14	Optimum Start	00 - 03 Hours (00=Default)
07	UH8-RF Address	UH8-RF = 01-99	15	Rate Of Change	Minutes to raise by 1° C
08	UH8-RF Zone Number	01-08	16	Program Mode	01 = 5/2 Day, 02 = 7 Day, 03 = 24 Hours
			17	Device Type	00 = Non-Programmable, 01 = Programmable, 02 = Programmable with HW

Product Dimensions (mm)



heatmiser



Heatmiser UK Ltd
Unit 8 & 9 Hurstwood Court, Mercer Way,
Shadsworth Business Park, Blackburn,
Lancashire. BB1 2QU, England Registered
in England: 3747773

tel. 01254 669090
fax. 01254 669091
email. sales@heatmiser.com
web. www.heatmiser.com
WEEE Registration Number: WEE/GF0052TQ