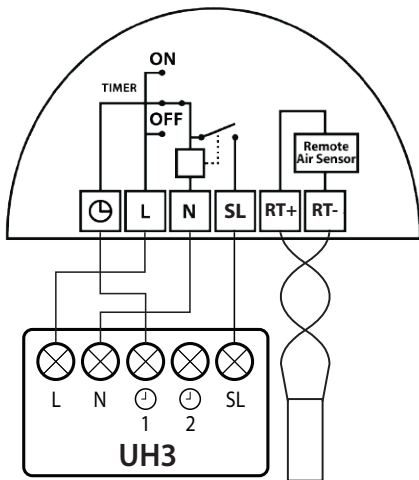




Wiring Diagram

DS-SB



Want More Information?

Call our support team on:
+44 (0)1254 669090

Or view technical specifications
directly on our website:
www.heatmiser.com



PDF



FAQ

heatmiser®



Model: **DS-SB**



Introduction

The Heatmiser DS-SB is a flush mounted set-back thermostat and is ideal for those who want a simple but energy efficient temperature control system. The DS-SB features a set-back function. This function automatically reduces the set temperature by 4°C when no time clock signal is detected.

The DS-SB thermostat has been designed to work in conjunction with the Heatmiser UH3 wiring centre and TM4 Programmer, but can also be used as a standalone dial thermostat.



Remote Sensor

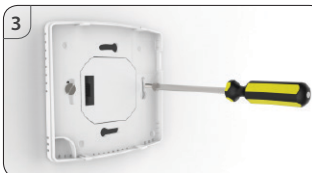
The Heatmiser DS-SB provides the option to work with a remote temperature sensor. When a compatible remote sensor is connected, the thermostat will automatically switch from using its internal sensor to use the remote sensor instead. This function is ideal for controlling bathrooms or when the thermostat needs to be installed in a different area of the building to that being measured and controlled.



Installation

IN ORDER TO AVOID ANY RISK OF ELECTRIC SHOCK, TURN OFF THE POWER TO THE HEATING SYSTEM BEFORE COMMENCING INSTALLATION.

1. Separate the front part of the thermostat by placing a small flat head terminal driver into the slots on the bottom face of the thermostat.
2. Terminate the thermostat as shown in the wiring diagram.
3. Screw the back plate securely back onto the wall.
4. Clip the front part of the thermostat onto the back plate and turn the power back on.





Setting The Temperature

To change the set point, rotate the dial until it points to the desired temperature.



1 Constant Mode

The time clock can be bypassed by placing the switch into position 1. In this position, the thermostat will ignore the time clock input and will continuously control to the set temperature. This feature can be used to extend the heating period without the need to adjust the time clock program.

0 Off Mode

Placing the thermostat switch into position 0 will turn OFF the heating completely.

Constant Mode Position



OFF Mode Position



Set-back Operation

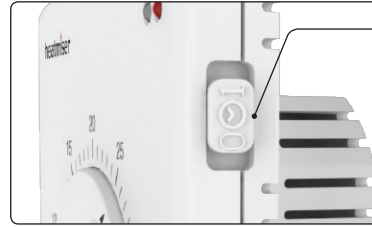
The Heatmiser DS-SB offers a set-back function that automatically reduces the set temperature by 4°C.

To make use of the set-back function, a 230v time clock is also required on the system.

Place the thermostat slide switch into the time clock position. ⌚

When the thermostat receives a 230V signal from the time clock it will control the temperature according to the dial setting.

When no 230v signal is received from the time clock, the thermostat will operate in set-back mode and automatically reducing the set temperature by 4°C



Set-back Mode Position



LED Indication

Left LED

The left LED is the power LED. It is a two colour LED and is used to indicate the time clock / set-back status.

Right LED

The right LED indicates the heating status. It illuminates ● when the thermostat is calling for heat.



Normal mode



Set-back mode



Heat on