

Want More Information?

Call our support team on:
+44 (0)1254 669090

Or view technical specifications
directly on our website:
www.heatmiser.com



PDF



FAQ

heatmiser®



Model: **DS1**

Introduction

The Heatmiser DS1 dial type thermostat is suitable for conventional or combi-boiler systems.

This thermostat incorporates the following functions;

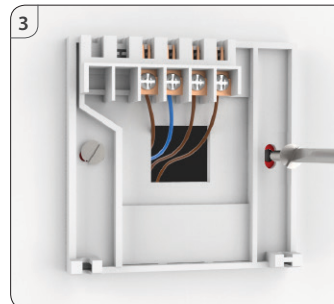
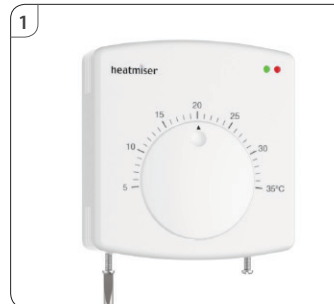
- Adjustable Switching Differential
- LED Heat and Power Indication
- 230v AC, 3A Switching

Installation

IN ORDER TO AVOID ANY RISK OF ELECTRIC SHOCK, TURN OFF THE POWER TO THE HEATING SYSTEM.

This dial thermostat is designed to be surface mounted.

1. Separate the front part of the thermostat by unscrewing securing screws on the bottom face of the thermostat.
2. Mark 2 hole positions on the wall using the backplate as a positioning template. Drill at the marked positions and insert a wall plug in to each hole.
3. Terminate the thermostat as per wiring diagram and screw the DS1 back plate to the back box.
4. Reconnect the thermostat front plate and insert the securing screws.



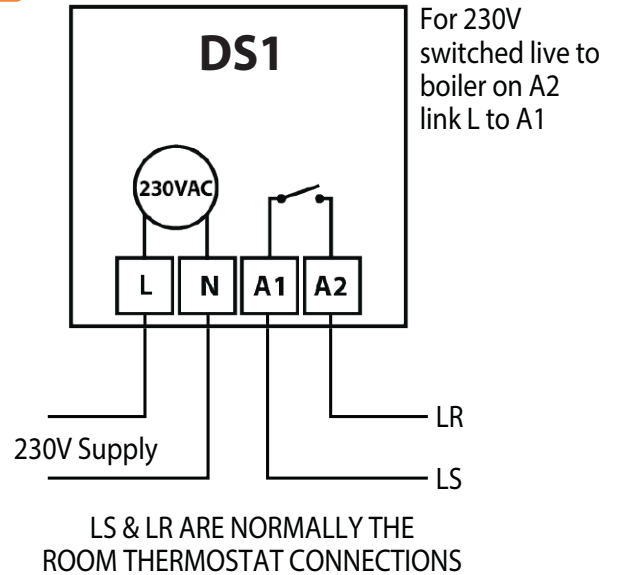


Setting The Temperature

To change the set point, rotate the dial until it points at the desired temperature.



Wiring Diagram - DS1 to Boiler Voltfree



Switching Differential

The Heatmiser DS1 offers 1, 2 and 3°C switching differential.

With a 1°C switching differential the heating will switch on 1°C below the set temperature and will turn off when the set temperature is reached.

A 2°C will turn the heating on 2°C below the set temperature.

3°C will switch the heating on 3°C below the set temperature.

To set the differential, you should set the DIP switches according to the table below. The DIP switch can be accessed from the back of the thermostat (shown opposite).

1	1 °C Switching	Switch 1 & 2 OFF
2	2 °C Switching	Switch 1 ON and Switch 2 OFF
3	3 °C Switching	Switch 1 OFF and Switch 2 ON

